

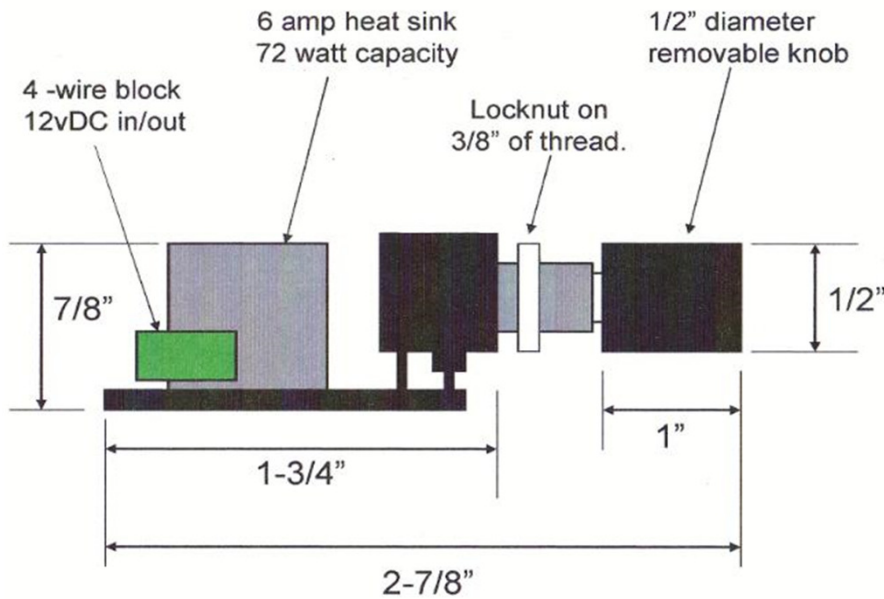
KICK-KR6 PWM Dimmer for 12vDC

commercial
retail / in-home

covers * hospitality lighting * shelf lighting * showcases * OEM * vehicle after market
cove lighting * under cabinet * vehicles * boats * projects * lamps * dimming panel lights



Pulse width modulation dimming
Full range dimming for 12v DC LED lighting
6 Amp capacity, 12v DC only
Small for limited space installation
Clicks to "off" position
Suitable for OEM applications
Mounts easily in 1/4-inch hole
Removable knob and lock nut



Model

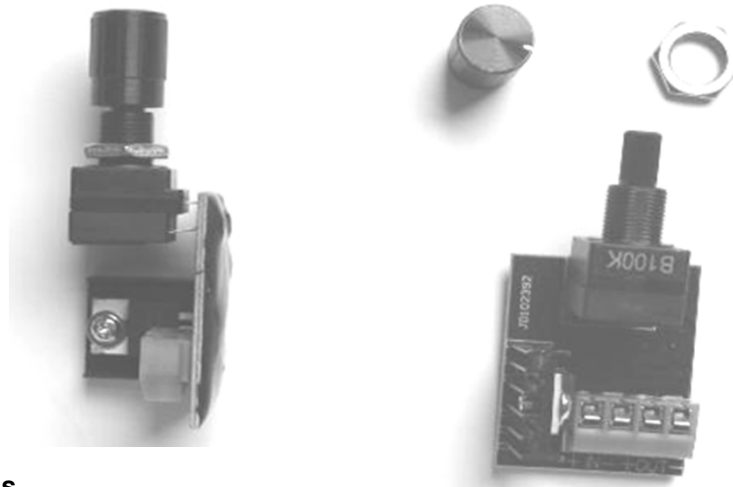
KICK-KR6
KICK-KR6-24v

Description

manual rotary 12v DC PWM dimmer with 6 amp capacity, on/off, 1/4" panel mount
manual rotary 24v DC PWM dimmer with 6 amp capacity, on/off, 1/4" panel mount

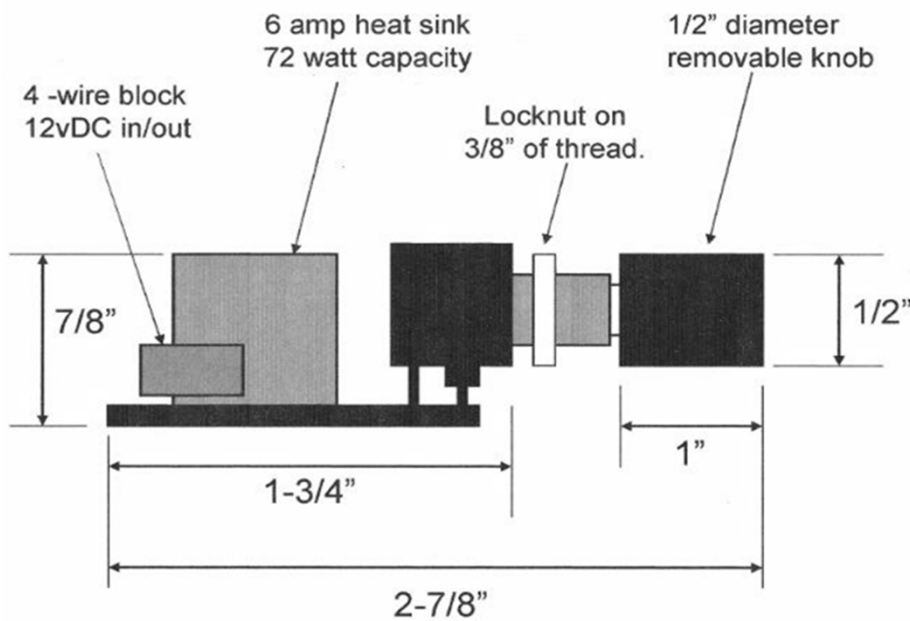


KICK KR6 Specifications



Performance Specifications

Mode of Operation:	Continuously variable pulse width modulation (PWM)
Supply voltage:	9 to 20 volts DC working voltage, up to 30vDC momentarily
DC/DC Conversion Efficiency:	97% at full rated load
Ambient Temperature Range:	-40 F to 115 F -- -40 C to 46 C
Fuse required:	Use 6 amp fuse at source.
Weight:	3 ounces
Voltage Drift:	Nil with steady input voltage



Typical Specification

12vDC LED dimming shall be by continuously variable pulse width modulation (PWM). Dimmer shall have a capacity of 6 amps at 12 volts DC. Efficiency shall be greater than 97%. Dimmer shall be Kick Lighting's KR6.

PROJECT INFORMATION

Project _____
 Type _____
 Lamp/Voltage _____
 Notes _____