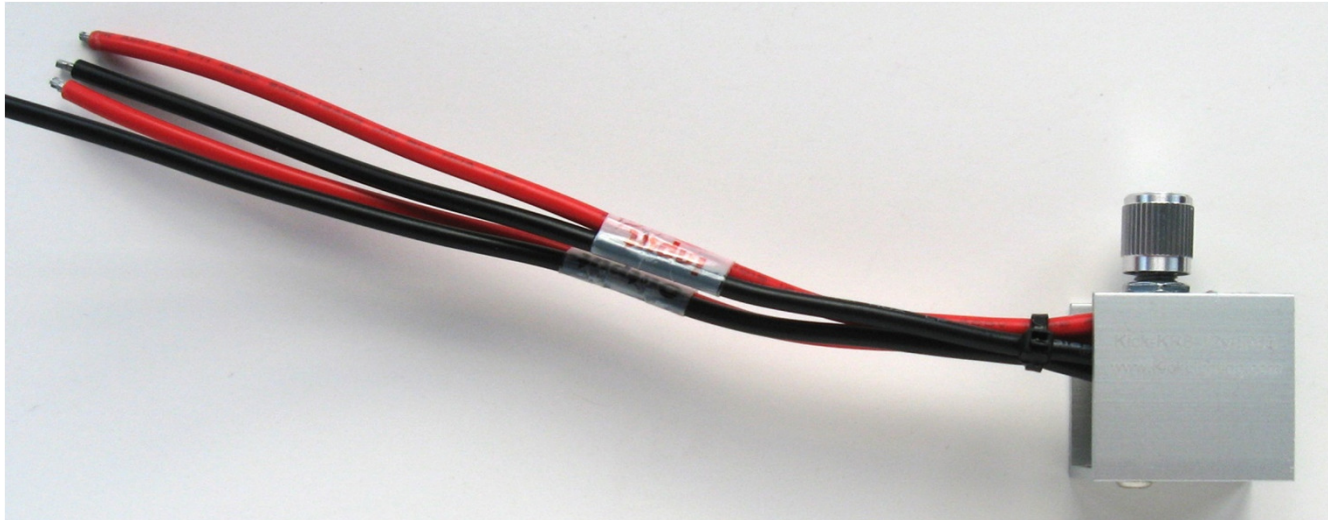


# KICK KR8-IP65 Rotary PWM Dimmer

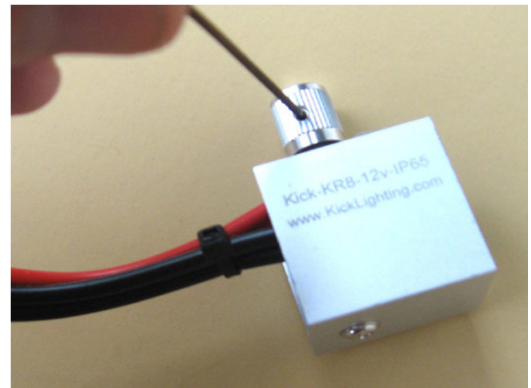
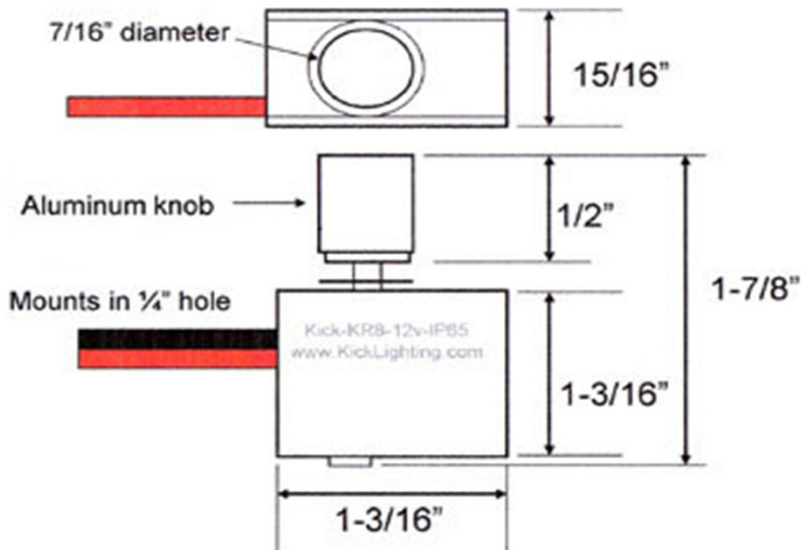
commercial  
retail / in-home

vans \* tour buses \* night fishing LED \* RVs \* boats \* vehicles  
cove lighting \* under cabinet \* home theaters \* accent lighting \* DIY projects



7" (17mm) 14AWG lead wires

Pulse width modulation dimming  
Full 100% dimming range  
8-amp capacity, 96 watts at 12v DC  
Clicks to "off" position  
3-Year Kick warranty

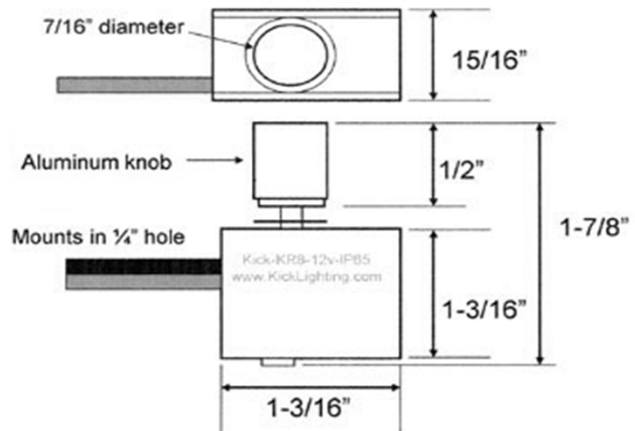
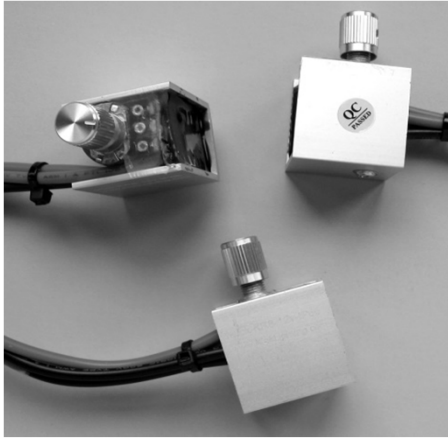


1.5mm hex lock nut knob

Model #	Description
KICK-KR8-IP65	8-amp PWM dimmer
KICK-KR8-IP65-DM	8-amp PWM dimmer, deep-mount



# KICK KR8 Specifications



## Performance Specifications

Mode of Operation:	Continuously variable pulse width modulation (PWM)
Supply voltage:	12 volts DC
DC/DC Conversion Efficiency:	98% at full rated load
Ambient Temperature Range:	-40 F to 115 F -- -40 C to 46 C
Weight:	2 ounces / 46 grams
Voltage Drift:	Nil with steady input voltage
Load Regulation:	Less than 4% from minimum load to maximum load
Ingress Protection:	65
Transient Protection:	Double resistive/capacitive filtering, zener diode clamping
Line Regulation:	Directly proportional to supply voltage
Heat sink:	Electrically isolated from voltage and acts as a circuit enclosure. Temperature rise under maximum load is about 40 F (22C) above ambient temperature.
Maximum current:	8 amperes
Voltage:	12 vDC Usable range: 9.7vDC to 16 vDC

## Special Order Options

Shaft lengths	3/4" or 1" for deeper mounting
Minimum custom order:	100 pieces

## Typical Specification

Dimming shall be by continuously variable pulse width modulation (PWM). Dimmer shall have a capacity of 8 amps at 12 volts DC. Efficiency shall be greater than 97%. Dimmer shall be Kick Lighting's KR8-IP65.

## PROJECT INFORMATION

Project \_\_\_\_\_  
 Type \_\_\_\_\_  
 Lamp/Voltage \_\_\_\_\_  
 Notes \_\_\_\_\_