

# KICK APR60 & KICK APR30

commercial  
retail / in-home

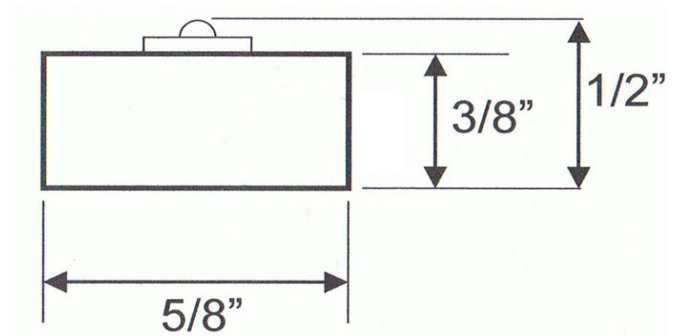
covers \* architectural\* edge lighting \* shelf lighting \* showcases \* bar/restaurant  
cove lighting \* under counter \* home theater \* pool areas



12-volt, high efficiency operation  
30 or 60 High flux SMD LEDs  
dimnable with KICK-KR8  
can chain up to 55-feet per run  
gapless end-to-end installation  
warm white (3500K), cool (5500K), red, green, blue, yellow, RGB  
3-Year Kick Warranty  
IP68, water-proof



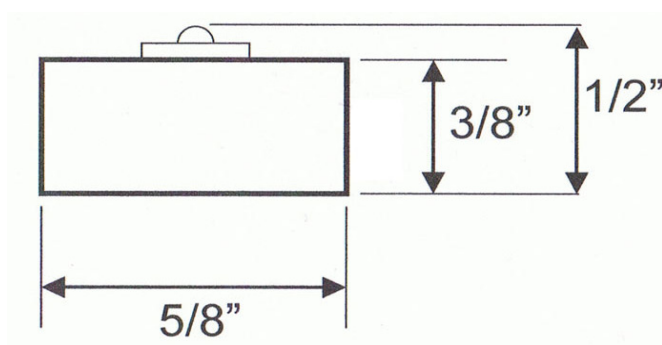
Gap-less End-to-End installation



Model #	Description
KICK-APR30WW	19.75" length, warm white
KICK-APR60WW	39.5" length, warm white
KICK-APR30DW	19.75" length, daylight white
KICK-APR60DW	39.5" length, daylight white



# KICK APR60 and APR30 Specifications



## Performance Specifications

Source:	30 or 60 Pirahna LEDs	
Cone Angle:	90 degrees	
Color Temperature:	Warm	Daylight
	3500 K	5500 K
Dimming:	Use Kick KR8 or other PWM dimmer	
Lamp Life:	70% lumen maintenance after 50,000 hours of continuous power on.	

	APR60	APR30
Illuminance:	115 lumens	58 lumens
Power Consumption:	4 watts	2 watts
Amperage:	0.4 amps	0.2 amps

## Construction Specifications

Materials:	poly resin core encased in aluminum
Sizes:	19.75" and 39.5"; 50cm and 100cm
Style:	linear
Surface Temperature:	90 degrees Farenheit
Mounting:	clear plastic clips (included) or Gardner Bender 3/4" plastic staples
Ingress Protection:	IP68
Temperature range:	40 to 104F (3 to 40 celcius)
Input voltage:	12 volts

## Special Order Options

Output color:	Red, Blue, Green, Yellow
Custom Lengths:	6" to 48"; 500 piece minimum

## Typical Specification

Rigid LED strip lighting shall be an array of quad-pin LEDs in poly resin cased in aluminum. Light output angle shall be 90-degrees. Manufacturer shall provide all power supply and dimming hardware. Rigid LED strip shall be Kick Lighting LLC.

## PROJECT INFORMATION

Project \_\_\_\_\_  
 Type \_\_\_\_\_  
 Lamp/Voltage \_\_\_\_\_  
 Notes \_\_\_\_\_

