

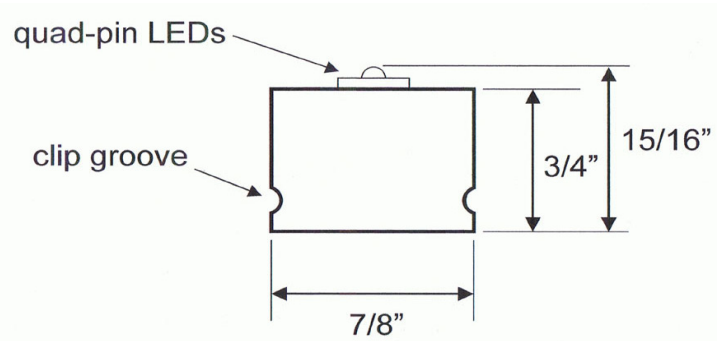
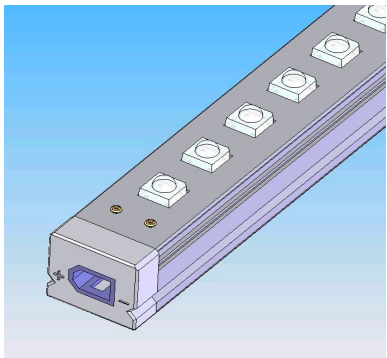
# KICK T512, T522, T534, T544 LED

commercial  
retail / in-home

covers \* retail \* shelf lighting \* showcases \* museums  
cove lighting \* under counter \* home theater



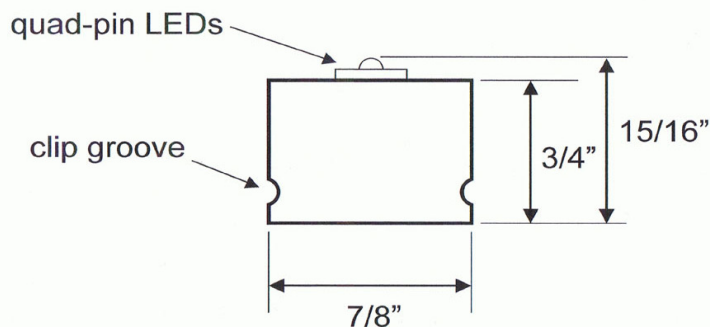
warm white (3500K) or daylight (6500)  
mounts on T5 clips (included)  
12-volt, high efficiency operation  
High flux SMD LEDs  
dimmable with KICK-KR8  
chainable; jumpers available  
UL listed  
3-Year Kick Warranty



Model #	Description
KICK-T512WW	12" length, warm white
KICK-T522WW	22" length, warm white
KICK-T534WW	34" length, warm white
KICK-T544WW	44" length, warm white
KICK-T512DW	12" length, daylight white
KICK-T522DW	22" length, daylight white
KICK-T534DW	34" length, daylight white
KICK-T544DW	44" length, daylight white



# KICK T512, T522, T534 AND T544 Specifications



## Performance Specifications

Source: quad-pin high flux LEDs  
 Cone Angle: 90 degrees



Color Temperature: Warm 3500 K      Daylight 6000K  
 Dimming: Use Kick KR8 or other PWM dimmer  
 Lamp Life: 70% lumen maintenance after 50,000 hours of continuous power on.

	T522	T534	T544
Illuminance:	220 lumens	350 lumens	430 lumens
Power Consumption:	5 watts	8 watts	10 watts
Amperage:	0.43 amps	0.7 amps	0.86 amps

## Construction Specifications

Materials: white powder coat aluminum, plastic ends  
 Sizes: 12", 22", 34" and 44" lengths  
 Style: linear  
 Surface Temperature: 92 degrees Fahrenheit  
 Mounting: T5 sized clips, spring steel clips included  
 Ingress Protection: IP51  
 Temperature range: 40 to 104F (3 to 40 celcius)  
 Input voltage: 12 volts

## Special Order Options

Custom Lengths: 9" to 60"; 100 piece minimum

## Typical Specification

Lighting shall be UL-listed, T5-sized LED fixture with an array of high flux LEDs with 3500CCT output. Light output angle shall be 90-degrees. Manufacturer shall provide all power supply and dimming hardware. T5 LED fixture shall be Kick Lighting LLC.



## PROJECT INFORMATION

Project \_\_\_\_\_  
 Type \_\_\_\_\_  
 Lamp/Voltage \_\_\_\_\_  
 Notes \_\_\_\_\_